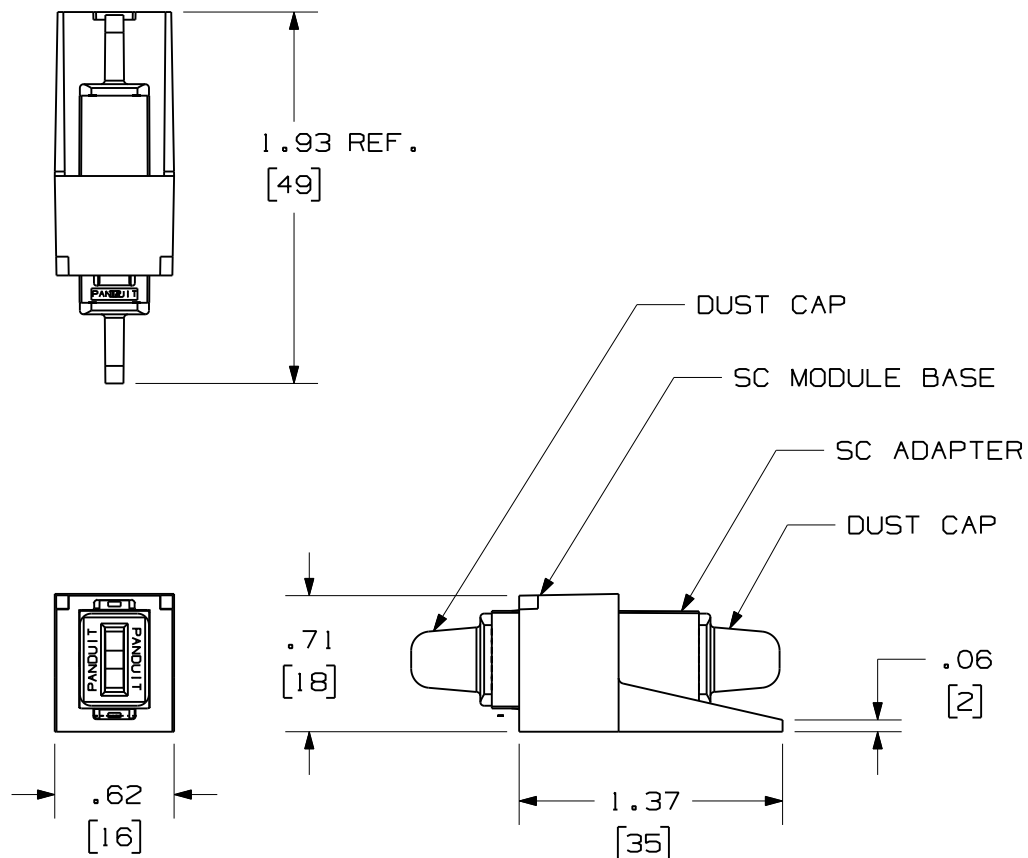


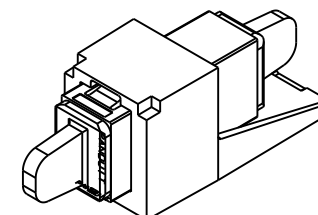
THIS COPY IS PROVIDED ON A RESTRICTED BASIS AND IS NOT TO BE USED IN ANY WAY DETRIMENTAL TO THE INTERESTS OF PANDUIT CORP.



PANDUIT P/N	WEIGHT	SPLIT SLEEVE TYPE
CMSAQSC**	1.2 lbs/100 pcs (540.0 g/100 pcs)	PHOS BRONZE
CMSBUSC**		
CMSEISC**		
CMSAGSCZ**	1.2 lbs/100 pcs (540.0 g/100 pcs)	ZIRCONIA
CMSAQSCZ**		
CMSBUSCZ**		
CMSEISCZ**		


NOTES:

- SEE CURRENT CATALOG FOR PART NUMBER SUFFIXES TO INDICATE COLOR OF MODULE BASE, AND/OR PACKAGE QUANTITIES.
- SEE CATALOG FOR COMPLETE LIST OF PARTS APPLICABLE FOR USE WITH THIS PART.
- MATERIALS:
  - MODULE BASE: PLASTIC
  - ADAPTER HOUSING: PLASTIC
  - SPLIT SLEEVE: ZIRCONIA/PHOS BRONZE
  - INNER LATCH: POLYETHERIMIDE
  - DUST CAP: ELASTOMER
- COMPLIANT WITH TIA/EIA-604-3 (FOCIS-3) AND TIA/EIA-568B.3
- DIMENSIONS IN BRACKETS ARE METRIC [mm]



REV	DATE	BY	CHK	DESCRIPTION	ECN	R	CUST	SUP	OTH
4	02-04-08	MC		RELEASED TO PRODUCTION	01106-06				

MINI-COM SIMPLEX SC ADAPTER MODULE  
CUSTOMER DRAWING



**PANDUIT**™  
CORP.  
TINLEY PARK, ILL 60477

ALL DIMENSIONS ARE GIVEN IN INCHES UNLESS OTHERWISE SPECIFIED.

DIMENSIONAL TOLERANCES ARE:  
(.X) (.XXX) ± .010 (0.3)  
(.XX) ± .03 (0.8) ANGLES

DRAWING FILENAME  
MO1106BD\_DC\_00E.prt

SCALE  
NONE

PART NO.  
SEE TABLE

DRAWING NO.  
01106-06

SIZE  
A

THIRD ANGLE PROJECTION

DRAWN BY: MC

DATE: 06-19-01

CHK'D: PJ1